

Control Duty Float Switches



Designed for accurate liquid level control in many applications including sewage and wastewater environments, Adenus float switches can be utilized to signify specific water levels for direct alarm actuation or can be used as a “pump-on” or “pump off” switch.

Normally Open (N/O):

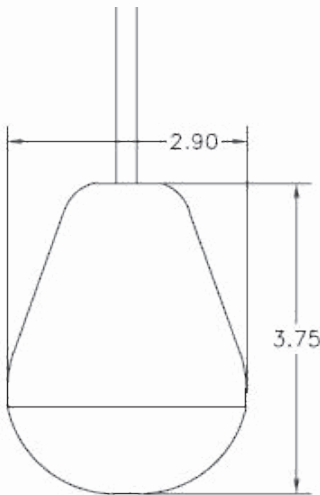
As the float raises 1” (5°) above horizontal, the contacts become closed and actuates (turns on) the switch. This float is generally used to turn on pumps.

Normally Closed (N/C):

As the float raises 1” (5°) above horizontal, the contacts become open and actuates (turns off) the switch. This float is generally used to turn off pumps as a fail-safe method (redundant off).

Narrow Angle Floats (N/A):

This switch can be wired either as a normally-open float switch or a normally-closed float switch, but not both. With a narrow-angle activated actuation, these are generally used in pump stations and recirculating sand filters (RSFs) where water levels are more precise.



The floats use a steel tube mercury switch designed to operate under min/max temperatures of 32-170°F, and have an electrical rating of 10 AMPS @ 120 VAC, 3 AMPS @ 240 VAC.

The power cord is a chlorinated polyethylene type SJOOW-300 Volt on 18/2 for N/O or N/C switch or 18/3 for Narrow Angle switches.

The float is constructed of a durable polypropylene outer shell and a solid polyurethane foam interior. It is tested and proven to be leak proof, shock proof, and impact resistant. Use only with intrinsically safe circuits.