

# 4" EcoSTEG Effluent Filter

## Submittal Data Sheet

### Applications:

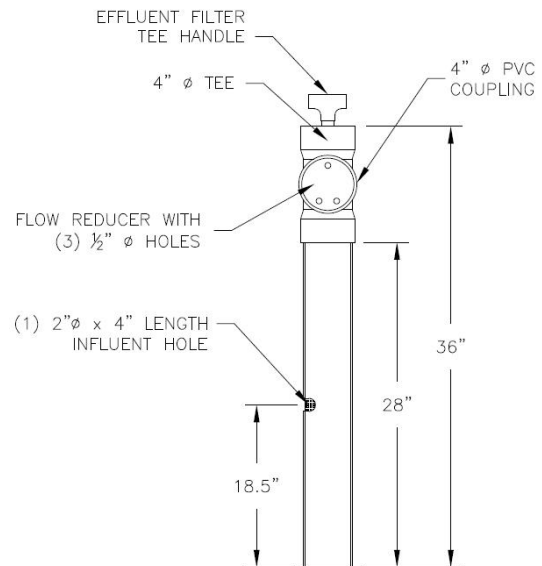
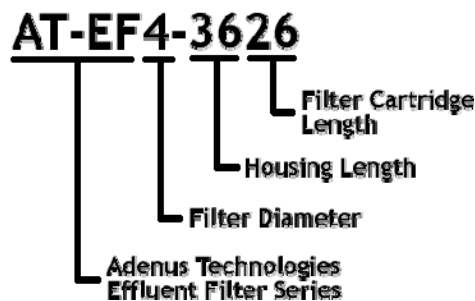
The 4" EcoSTEG Effluent Filter from Adenus Technologies is the perfect medium for filtering effluent from a septic or STEG (gravity) tank before it enters a drain field or a main collection line. When installed in a septic tank at the outlet, the filter improves the quality of the effluent leaving the tank by filtering out suspended solids. These filters can be used in decentralized STEG system communities or in stand-alone applications as a preventative maintenance measure for conventional leach field systems.

### General Information:



Adenus Technologies' 4" EcoSTEG Effluent Filter provides filtration of solids up to one-seventh of an inch and provides superior filtration, with over 3 ft<sup>2</sup> of filter area, for downstream treatment systems or drain fields.

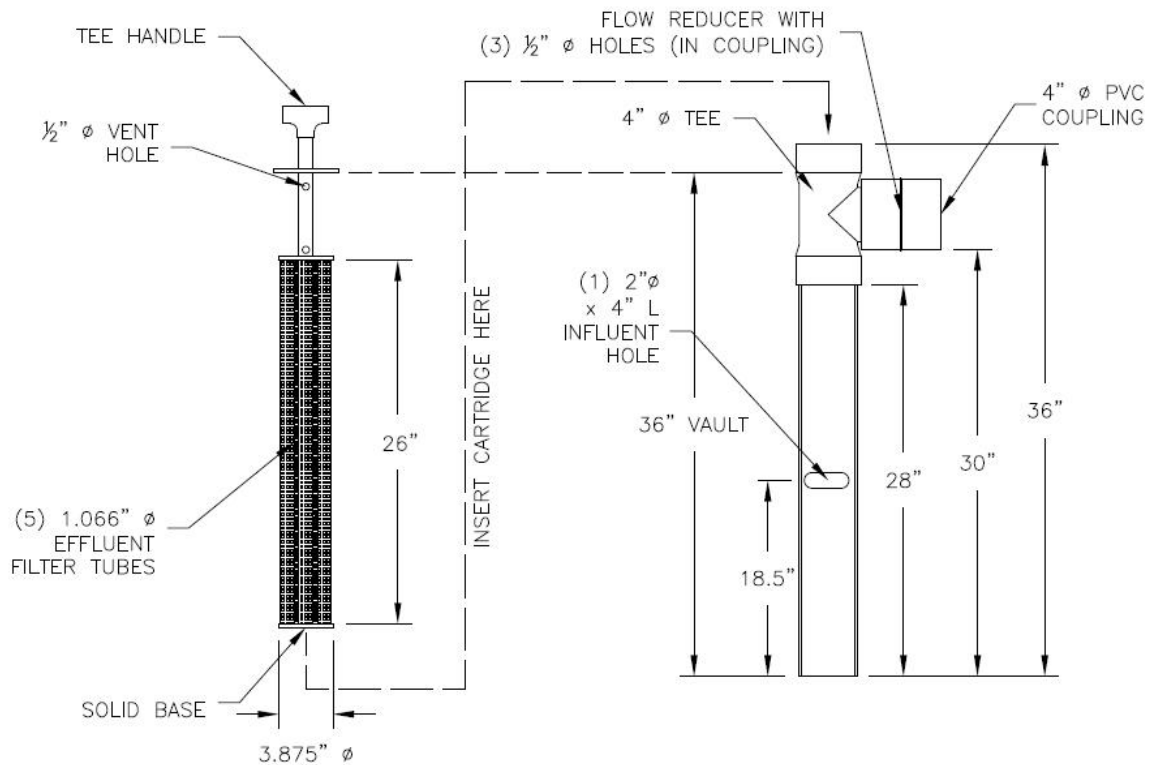
The solvent-welded body and housing provide excellent protection for the filter tube cartridge. The strategically positioned inlet hole allows only water from the "clear zone" of the septic tank to pass through the filter and the 3/4" tee handle can be extended with PVC couplings for ease in access and/or maintenance.



### Standard Vault Features:

Feature:	Specification(s):
Piping/Filter Body	SDR 35
Tees and Handle	Schedule 40 PVC and/or PVC-I DWV fittings; ASTM D-3034, D-2729
Adenus Tech Part #	AT-EF4-3626 – 4" EcoSTEG Effluent Filter

# 4" EcoSTEG Effluent Filter (Cont.)



## Filter Specifications:

Specification:	Detail(s):
Total Filter Diameter	3.875"
Total Height	35"
Filter Tube Length	26"
Filter Tube Outside Diameter	1.066"
Number of Filter Tubes per Cartridge	5
Filter Surface Area (5 tubes @ 26" each)	435.15 in. <sup>2</sup> (3.02181 ft <sup>2</sup> )
Filter Tube Orifice Size	0.15" x 0.145"
Open Area of Filter Tubes	35%
Vault Length	36" Total
Vault Inside Surface Area	445.01 in. <sup>2</sup>
Influent Hole Dimensions	2" diameter x 4" length
Number of Influent Holes	1
Discharge Orifice Diameter	1/2"
Number of Discharge Orifices	3
Vent Hole Diameter	1/2"
Number of Vent Holes	1